

# PARTS LIST

[ XA-GP3BK ]

\* All printed circuit boards and its assemblies are not available as service parts.

Area suffix

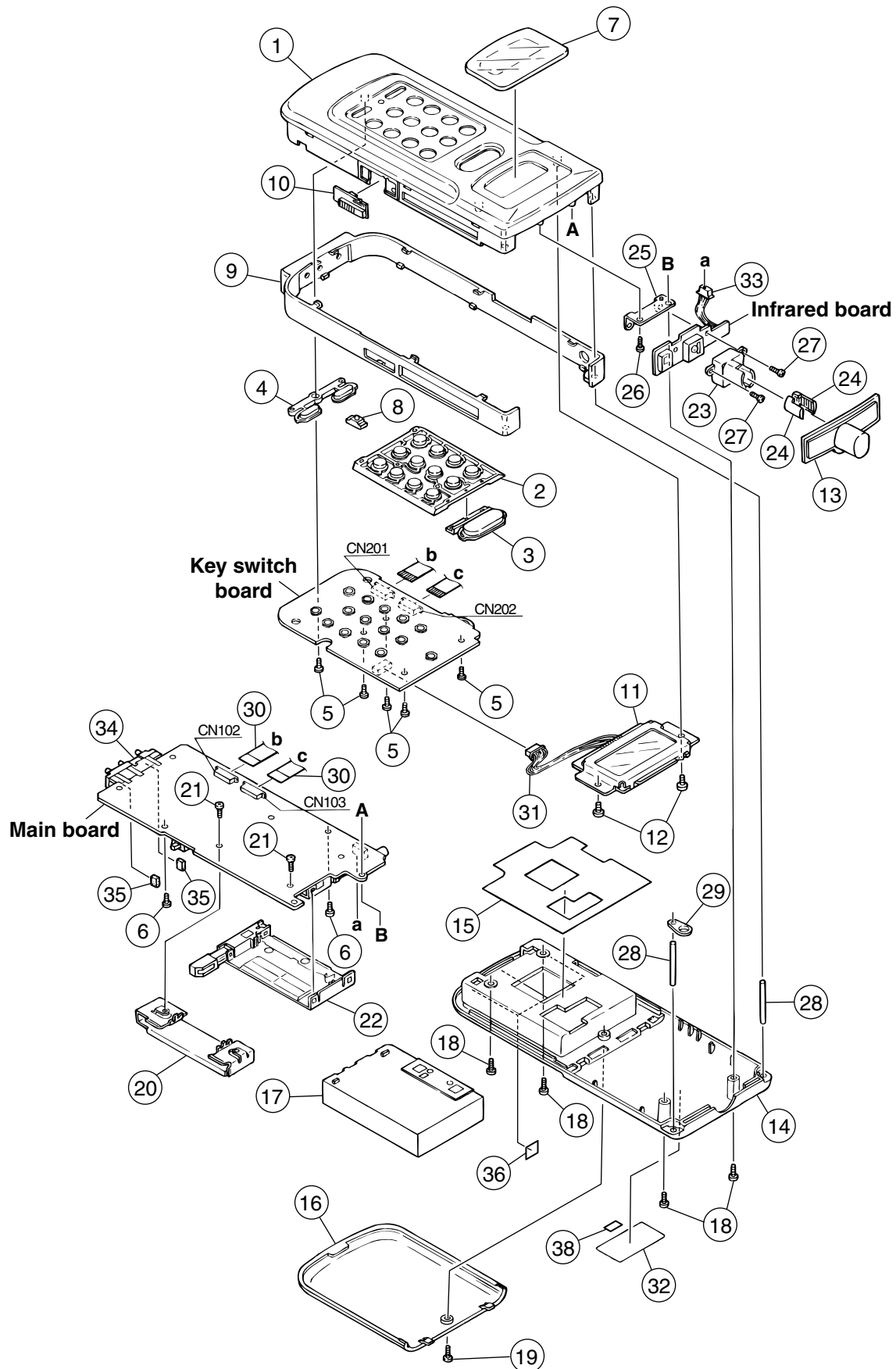
E ----- Continental Europe

## - Contents -

Exploded view of general assembly and parts list (Block No.M1) .....	3-2
Electrical parts list (Block No.01) .....	3-4
Packing materials and accessories parts list (Block No.M3,M5) .....	3-7

# Exploded view of general assembly and parts list

Block No. M 1 M M



## ■ Parts list (General assembly)

Block No. M1MM

△	Item	Parts number	Parts name	Q'ty	Description	Area
	1	VJG1484-004	TOP CASE	1	ABS,SPRAY	
	2	VXP3868-001	PUSH KNOB(A)	1	ABS,PRINT	
	3	VXP3869-005	PUSH KNOB(B)	1	ABS,PRINT	
	4	VXP3870-001	PUSH KNOB(C)	1	ABS	
	5	QYSPSGT1730N	MINI TAP SCREW	5	TOP.CASE+SW.PWB	
	6	QYSPSGT1730N	MINI TAP SCREW	2	TOP.CASE+MAIN.PWB	
	7	VJK4510-002	LCD LENS	1	PMMA,PRINT	
	8	VJK4511-001	LED LENS	1	PMMA	
	9	VJC2593-002	CENTER COVER	1	ABS	
	10	VXS4412-002	SLIDE KNOB	1	ABS	
	11	TM401-001	LCD	1		
	12	QYSDSF2604Z	SCREW	2	TOP.CASE+LCD.MODULE	
	13	VJE3030-001	SENCER COVER	1	PMMA	
	14	VJG1485-001UL	BOTTOM CASE	1	ABS,SPRAY	
	15	VYTT712-001	INSULATOR	1	FOR BOTM.CASE	
	16	VJC2594-001	BATTERY COVER	1	ABS,SPRAY	
△	17	VGZ0145-005JSA	LI BATTERY	1	LABEL ASSY	
	18	QYSPSGT2055M	MINI SCREW	4	TOP.CAS+BOT.CASE	
	19	QYSPSPU2040M	SCREW	1	BOT.CAS+BAT.COVER	
	20	VYH3993-002	CARD GUIDE	1	SUS430,T0.5	
	21	QYSPSPU1420N	SCREW	2	CARD.G+MAIN.PWB	
	22	D7E50-7316-03	CF EJECTOR	1		
	23	VYH3994-001	SENSOR HOLDER	1	ABS	
	24	VYH8167-001	SLEEVE	2	ABS	
	25	VKL7879-001	PWB BRACKET	1	EGC,T0.5	
	26	QYSPSGT1730N	MINI TAP SCREW	1	TOP.CASE+P.BKT	
	27	QYSPSPU1430M	SCREW	2	SEN.HOL+P.BKT	
	28	VKH3012-072	SHAFT	2	FOR TOP.C/C.COVER	
	29	VKL7880-001	HOLDER BRACKET	1	FOR SHAFT	
	30	QUQ605-2006BB	FFC WIRE	2		
	31	N-DF-V-06-02-05	CONNECTOR ASSY	1		
	32	VYN8081-004	NAME PLATE	1	FOR BOTM.CASE	
	33	DF-V-D-06-MC-05	CONNECTOR ASSY	1		
	34	VKY3135-00E	CHARGE SP ASS'Y	1		
	35	VYSR103-055	SPACER	2		
	36	LV30225-087A	SPACER	3	FOR BOTM.CASE	
	38	VND5079-001	CE LABEL	1		

## ■ Electrical parts list (Main board)

Block No. 01

△	Item	Parts number	Parts name	Remarks	Area
	C 101	NCF31CZ-104X	C CAPACITOR		
	C 102	NCF31CZ-104X	C CAPACITOR		
	C 103	NCF31CZ-104X	C CAPACITOR		
	C 104	NCF31CZ-104X	C CAPACITOR		
	C 105	NCF31CZ-104X	C CAPACITOR		
	C 106	NCF31CZ-104X	C CAPACITOR		
	C 107	NCF31CZ-104X	C CAPACITOR		
	C 108	NCF31CZ-104X	C CAPACITOR		
	C 109	NCF31CZ-104X	C CAPACITOR		
	C 110	NCF31CZ-104X	C CAPACITOR		
	C 111	NCF31CZ-104X	C CAPACITOR		
	C 112	NCF31CZ-104X	C CAPACITOR		
	C 113	NCF31CZ-104X	C CAPACITOR		
	C 114	NCF31CZ-104X	C CAPACITOR		
	C 115	NCF31CZ-104X	C CAPACITOR		
	C 116	NCF31CZ-104X	C CAPACITOR		
	C 150	NCF31CZ-104X	C CAPACITOR		
	C 151	NCF31CZ-104X	C CAPACITOR		
	C 152	NCS31HJ-220X	C CAPACITOR		
	C 153	NCS31HJ-220X	C CAPACITOR		
	C 154	NCS31HJ-150X	C CAPACITOR		
	C 155	NCS31HJ-180X	C CAPACITOR		
	C 156	NCB31HK-102X	C CAPACITOR		
	C 157	NCB31HK-102X	C CAPACITOR		
	C 158	NCB31HK-102X	C CAPACITOR		
	C 159	NCF31CZ-104X	C CAPACITOR		
	C 160	NCF31CZ-104X	C CAPACITOR		
	C 161	NCF31CZ-104X	C CAPACITOR		
	C 162	NCS31HJ-471X	C CAPACITOR		
	C 163	NCS31HJ-471X	C CAPACITOR		
	C 164	NCB31HK-102X	C CAPACITOR		
	C 165	NCB31HK-102X	C CAPACITOR		
	C 201	NCF31CZ-104X	C CAPACITOR		
	C 202	NCF31CZ-104X	C CAPACITOR		
	C 203	NCF31CZ-104X	C CAPACITOR		
	C 204	NCF31CZ-104X	C CAPACITOR		
	C 205	NCF31CZ-104X	C CAPACITOR		
	C 206	NCF31CZ-104X	C CAPACITOR		
	C 250	NCF31CZ-104X	C CAPACITOR		
	C 251	NCF31CZ-104X	C CAPACITOR		
	C 252	NCS31HJ-270X	C CAPACITOR		
	C 253	NCS31HJ-270X	C CAPACITOR		
	C 254	NCF31CZ-104X	C CAPACITOR		
	C 255	NBE21AM-106X	E CAPACITOR		
	C 256	NBE40GM-476X	TS E CAPACITOR		
	C 257	NBE40GM-476X	TS E CAPACITOR		
	C 258	NCF31CZ-104X	C CAPACITOR		
	C 259	NBE81AM-475X	TA E CAPACITOR		
	C 260	NCS31HJ-331X	C CAPACITOR		
	C 261	NCB31HK-562X	C CAPACITOR		
	C 262	NCB31HK-562X	C CAPACITOR		
	C 263	NCS31HJ-151X	C CAPACITOR		
	C 264	NCS31HJ-151X	C CAPACITOR		
	C 265	NCB31HK-562X	C CAPACITOR		
	C 266	NCB31HK-562X	C CAPACITOR		
	C 267	NCB31HK-152X	C CAPACITOR		
	C 268	NCS31HJ-331X	C CAPACITOR		
	C 269	NCB31HK-152X	C CAPACITOR		
	C 270	NCB31HK-102X	C CAPACITOR		
	C 271	NCB31HK-102X	C CAPACITOR		
	C 272	NCB31HK-102X	C CAPACITOR		
	C 273	NCS31HJ-221X	C CAPACITOR		
	C 274	NCS31HJ-221X	C CAPACITOR		

△	Item	Parts number	Parts name	Remarks	Area
	C 275	NCB31HK-103X	C CAPACITOR		
	C 301	NCF31AZ-105X	C CAPACITOR		
	C 302	NCF31CZ-104X	C CAPACITOR		
	C 303	NBE50JM-107X	TS E CAPACITOR		
	C 304	NCF31CZ-104X	C CAPACITOR		
	C 305	NBE40JM-476X	TS E CAPACITOR		
	C 306	NCF31CZ-104X	C CAPACITOR		
	C 307	NBE40GM-476X	TS E CAPACITOR		
	C 308	NBE40GM-476X	TS E CAPACITOR		
	C 309	NCF31CZ-104X	C CAPACITOR		
	C 310	NBE21AM-106X	E CAPACITOR		
	C 311	NCF31CZ-104X	C CAPACITOR		
	C 312	NCF31CZ-104X	C CAPACITOR		
	C 313	NCF31CZ-104X	C CAPACITOR		
	C 316	NBE90JM-106X	TS E CAPACITOR		
	C 317	NBE51CM-226X	TA E CAPACITOR		
	C 318	NCB31HK-102X	C CAPACITOR		
	C 319	NCB31HK-102X	C CAPACITOR		
	C 320	NCB31HK-102X	C CAPACITOR		
	C 321	NCB31AK-474X	C CAPACITOR		
	C 401	NBE40JM-226X	TS E CAPACITOR		
	C 402	NBE40JM-226X	TS E CAPACITOR		
	CN101	N7E50-7516VY20	CF CONNECTER		
	CN102	QGF0510F1-20X	FFC/FPC CONNE		
	CN103	QGF0510F1-20X	FFC/FPC CONNE		
	CN104	QGA1206C1-07X	CONNECTOR		
	CN201	QGF0510F1-20X	FFC/FPC CONNE		
	CN202	QGF0510F1-20X	FFC/FPC CONNE		
	CN203	QGA1206F1-05X	CONNECTOR		
	CN301	QGA1206C1-05X	CONNECTOR		
	D 201	RB425D-X	DIODE		
	D 202	RB425D-X	DIODE		
	D 203	RB425D-X	DIODE		
	D 204	SML-010MT/MN/-W	LED		
	D 205	HSM2836C-X	DIODE		
	D 301	MA729-X	DIODE		
	IC101	TMP93CS45F	IC		
	IC102	TC74VHC139FT-X	IC		
	IC103	TC74VHC574FT-X	IC		
	IC104	TC74VHC574FT-X	IC		
	IC105	MBM29LV2BC9TN02	IC		
	IC106	SRM2B256SLTMX5	IC		
	IC107	TC7SH04FU-X	IC		
	IC108	TC74VHC574FT-X	IC		
	IC109	TC74VHC574FT-X	IC		
	IC110	SN74LVCH245APWX	IC(DIGITAL)		
	IC111	SN74LVCH245APWX	IC(DIGITAL)		
	IC112	SN74LVCH245APWX	IC(DIGITAL)		
	IC113	TC7SH32FU-X	IC		
	IC114	TC7SH32FU-X	IC		
	IC115	TC74VHC74FT-X	IC		
	IC116	TC7SH08FU-X	IC		
	IC201	MAS3507D-QG-F10	IC		
	IC202	DAC3550A-QG-C2	IC		
	IC203	TC74VHC165FT-X	IC		
	IC204	TC74VHCT08AFT-X	IC		
	IC205	TC7SH14FU-X	IC		
	IC206	TC7W66FU-X	IC		
	IC207	IMX9-W	TRANSISTOR		
	IC208	IMX9-W	TRANSISTOR		
	IC301	RN5RF32AA-X	IC		
	IC302	XC61FC2712M-X	IC		
	IC303	S-8321AAMPDNA-W	IC		

## ■ Electrical parts list (Main board)

Block No. 01

△	Item	Parts number	Parts name	Remarks	Area	△	Item	Parts number	Parts name	Remarks	Area
	IC304	RN5VL31AA-X	IC				R 215	NRSA63J-104X	MG RESISTOR		
	IC401	GP1UC107-X	IR DETECT UNIT				R 216	NRSA63J-104X	MG RESISTOR		
	IC402	GP1U901X	IR DETECT UNIT				R 217	NRSA63J-0R0X	MG RESISTOR		
	J 201	QNS0151-001	3.5 JACK				R 218	NRSA63J-102X	MG RESISTOR		
	K 201	NQR0129-004X	FERRITE BEADS				R 219	NRSA63J-104X	MG RESISTOR		
	K 202	NQR0129-004X	FERRITE BEADS				R 220	NRSA63J-822X	MG RESISTOR		
	L 301	NQL21CM-471X	COIL				R 221	NRSA63J-822X	MG RESISTOR		
	L 302	NQL365K-220X	INDUCTOR				R 222	NRSA63J-822X	MG RESISTOR		
	Q 201	DTA124EE-X	DIGI TRANSISTOR				R 223	NRSA63J-153X	MG RESISTOR		
	Q 202	DTA124EE-X	DIGI TRANSISTOR				R 224	NRSA63J-822X	MG RESISTOR		
	Q 203	DTA124EE-X	DIGI TRANSISTOR				R 225	NRSA63J-822X	MG RESISTOR		
	Q 204	2SA1774/R/-X	TRANSISTOR				R 226	NRSA63J-822X	MG RESISTOR		
	Q 205	2SD1979/ST/-X	TRANSISTOR				R 227	NRSA63J-153X	MG RESISTOR		
	Q 206	2SD1979/ST/-X	TRANSISTOR				R 228	NRSA63J-0R0X	MG RESISTOR		
	Q 301	DTA114EE-X	DIGI TRANSISTOR				R 229	NRSA63J-224X	MG RESISTOR		
	Q 302	DTC144EE-X	TRANSISTOR				R 231	NRSA63J-821X	MG RESISTOR		
	Q 303	2SA1213/Y/-X	TRANSISTOR				R 232	NRSA63J-153X	MG RESISTOR		
	Q 304	SI2301DS-X	TRANSISTOR				R 233	NRSA63J-224X	MG RESISTOR		
	Q 305	SI2301DS-X	TRANSISTOR				R 234	NRSA63J-470X	MG RESISTOR		
	Q 306	SI2301DS-X	TRANSISTOR				R 235	NRSA63J-102X	MG RESISTOR		
	Q 307	UN5111-X	TRANSISTOR				R 236	NRSA63J-272X	MG RESISTOR		
	Q 308	UN5213-X	TRANSISTOR				R 237	NRSA63J-392X	MG RESISTOR		
	Q 309	UN5111-X	TRANSISTOR				R 238	NRSA63J-682X	MG RESISTOR		
	Q 310	UN5213-X	TRANSISTOR				R 239	NRSA63J-153X	MG RESISTOR		
	Q 311	UN5111-X	TRANSISTOR				R 240	NRSA63J-224X	MG RESISTOR		
	Q 312	UN5213-X	TRANSISTOR				R 241	NRSA63J-470X	MG RESISTOR		
	Q 313	UN5213-X	TRANSISTOR				R 242	NRSA63J-102X	MG RESISTOR		
	R 101	NRSA63J-104X	MG RESISTOR				R 243	NRSA63J-272X	MG RESISTOR		
	R 102	NRSA63J-104X	MG RESISTOR				R 244	NRSA63J-392X	MG RESISTOR		
	R 103	NRSA63J-104X	MG RESISTOR				R 245	NRSA63J-682X	MG RESISTOR		
	R 104	NRSA63J-0R0X	MG RESISTOR				R 246	NRSA63J-153X	MG RESISTOR		
	R 106	NRSA63J-0R0X	MG RESISTOR				R 247	NRSA63J-224X	MG RESISTOR		
	R 108	NRSA63J-104X	MG RESISTOR				R 248	NRSA63J-470X	MG RESISTOR		
	R 109	NRSA63J-104X	MG RESISTOR				R 249	NRSA63J-102X	MG RESISTOR		
	R 110	NRSA63J-104X	MG RESISTOR				R 250	NRSA63J-272X	MG RESISTOR		
	R 111	NRSA63J-104X	MG RESISTOR				R 251	NRSA63J-392X	MG RESISTOR		
	R 112	NRSA63J-104X	MG RESISTOR				R 252	NRSA63J-682X	MG RESISTOR		
	R 113	NRSA63J-104X	MG RESISTOR				R 253	NRSA63J-472X	MG RESISTOR		
	R 114	NRSA63J-104X	MG RESISTOR				R 254	NRSA63J-150X	MG RESISTOR		
	R 115	NRSA63J-104X	MG RESISTOR				R 255	NRSA63J-102X	MG RESISTOR		
	R 116	NRSA63J-104X	MG RESISTOR				R 256	NRSA63J-102X	MG RESISTOR		
	R 117	NRSA63J-104X	MG RESISTOR				R 257	NRSA63J-102X	MG RESISTOR		
	R 118	NRSA63J-472X	MG RESISTOR				R 258	NRSA63J-150X	MG RESISTOR		
	R 119	NRSA63J-104X	MG RESISTOR				R 259	NRSA63J-102X	MG RESISTOR		
	R 120	NRSA63J-102X	MG RESISTOR				R 260	NRSA63J-102X	MG RESISTOR		
	R 121	NRSA63J-102X	MG RESISTOR				R 261	NRSA63J-102X	MG RESISTOR		
	R 122	NRSA63J-473X	MG RESISTOR				R 262	NRSA63J-150X	MG RESISTOR		
	R 123	NRSA63J-104X	MG RESISTOR				R 263	NRSA63J-150X	MG RESISTOR		
	R 124	NRSA63J-472X	MG RESISTOR				R 264	NRSA63J-152X	MG RESISTOR		
	R 125	NRSA63J-472X	MG RESISTOR				R 265	NRSA63J-152X	MG RESISTOR		
	R 201	NRSA63J-104X	MG RESISTOR				R 266	NRSA63J-104X	MG RESISTOR		
	R 202	NRSA63J-472X	MG RESISTOR				R 301	NRSA63J-822X	MG RESISTOR		
	R 203	NRSA63J-472X	MG RESISTOR				R 302	NRSA63J-822X	MG RESISTOR		
	R 204	NRSA63J-104X	MG RESISTOR				R 304	NRSA63J-103X	MG RESISTOR		
	R 205	NRSA63J-104X	MG RESISTOR				R 305	NRSA63J-103X	MG RESISTOR		
	R 206	NRSA63J-104X	MG RESISTOR				R 306	NRSA63J-104X	MG RESISTOR		
	R 207	NRSA63J-0R0X	MG RESISTOR				R 309	NRSA63J-0R0X	MG RESISTOR		
	R 209	NRSA63J-104X	MG RESISTOR				R 310	NRSA63J-103X	MG RESISTOR		
	R 210	NRSA63J-104X	MG RESISTOR				R 311	NRSA63J-124X	MG RESISTOR		
	R 211	NRSA63J-104X	MG RESISTOR				R 312	NRSA63J-224X	MG RESISTOR		
	R 212	NRSA63J-104X	MG RESISTOR				R 313	NRSA63J-473X	MG RESISTOR		
	R 213	NRSA63J-104X	MG RESISTOR				R 314	NRSA63J-103X	MG RESISTOR		
	R 214	NRSA63J-104X	MG RESISTOR				R 315	NRSA63J-473X	MG RESISTOR		

■ Electrical parts list (Main board)

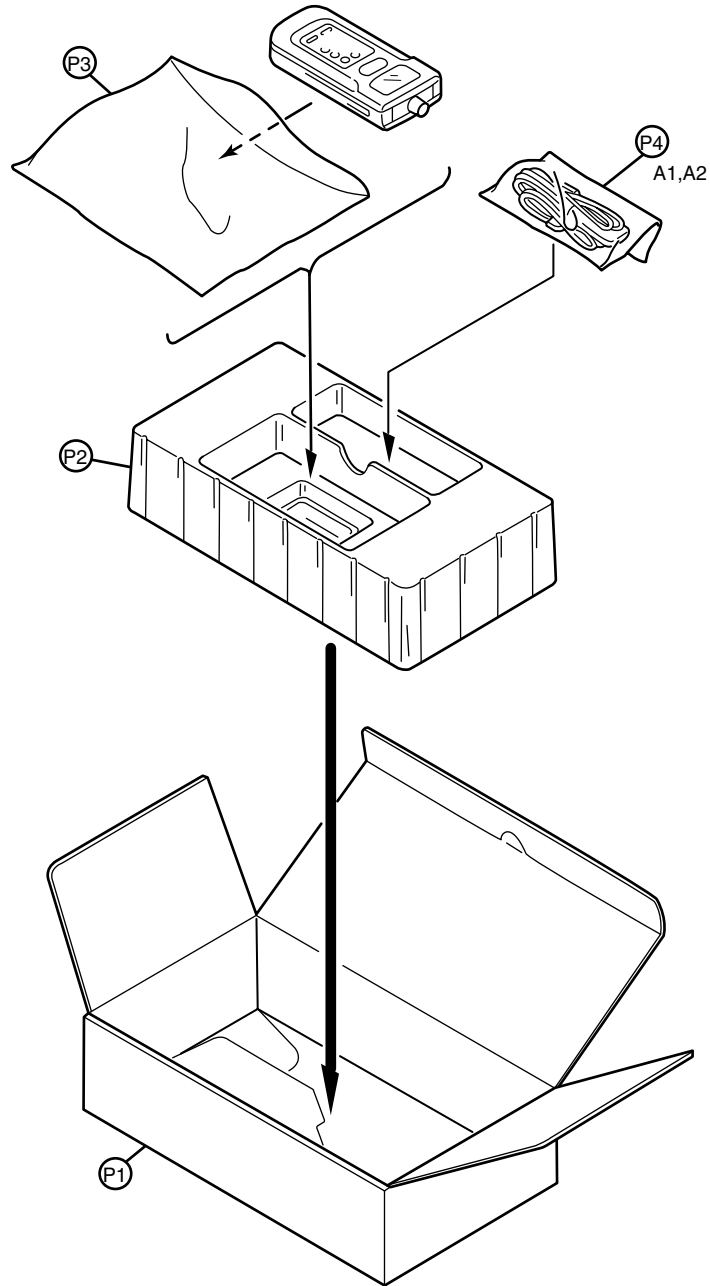
Block No. 01

△	Item	Parts number	Parts name	Remarks	Area
	R 316	NRSA63J-151X	MG RESISTOR		
	R 318	NRSA63J-471X	MG RESISTOR		
	R 319	NRSA63J-472X	MG RESISTOR		
	R 401	NRSA63J-470X	MG RESISTOR		
	SW201	NSW0043-001X	TACT SWITCH		
	SW202	NSW0043-001X	TACT SWITCH		
	SW203	NSW0043-001X	TACT SWITCH		
	SW204	NSW0043-001X	TACT SWITCH		
	SW205	NSW0043-001X	TACT SWITCH		
	SW206	NSW0043-001X	TACT SWITCH		
	SW207	NSW0043-001X	TACT SWITCH		
	SW208	NSW0043-001X	TACT SWITCH		
	SW209	NSW0043-001X	TACT SWITCH		
	SW210	NSW0043-001X	TACT SWITCH		
	SW211	NSW0059-001X	TACT SWITCH		
	SW212	NSW0043-001X	TACT SWITCH		
	SW213	NSW0043-001X	TACT SWITCH		
	SW214	NSW0043-001X	TACT SWITCH		
	SW215	NSW0043-001X	TACT SWITCH		
	SW301	QSW0831-001	SLIDE SWITCH		
	VR201	NVQ0005-B24X	SEMI.V.RESISTOR	YOSEDOME	
	X 101	NAX0322-001X	CRYSTAL	12.288MHZ	
	X 102	QAX0571-001	CRYSTAL	32.768KHZ	
	X 201	NAX0323-001X	CRYSTAL	14.725MHZ	

# Packing materials and accessories parts list

Block No. M 3 M M

Block No. M 5 M M



## ■ Parts list (Packing)

Block No. M3MM

⚠	Item	Parts number	Parts name	Q'ty	Description	Area
	P 1	VPC8081-003	CARTON	1		
	P 2	VPK3376-001	CUSHION CASE	1	PP,T0.5	
	P 3	VPE3015-010	ENVELOPE	1	FOR SET PACKING	
	P 4	QPA00701703	POLY BAG	1	FOR STRAP	

## ■ Parts list (Accessories)

Block No. M5MM

⚠	Item	Parts number	Parts name	Q'ty	Description	Area
	A 1	VJH3073-00B		1	FOR HOLDER.BKT	
	A 2	VJH3075-001	NECK STRAP	1	FOR HOLDER.BKT	